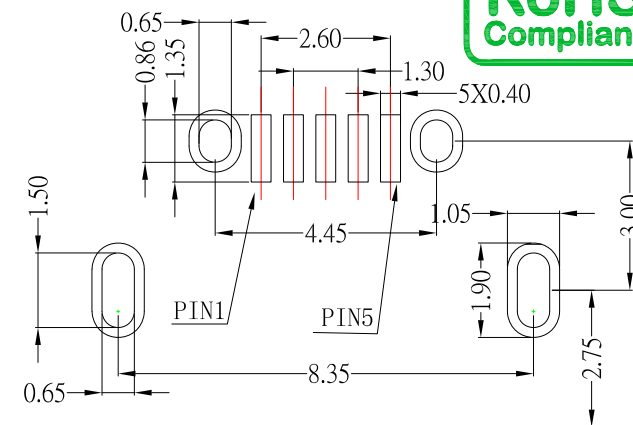




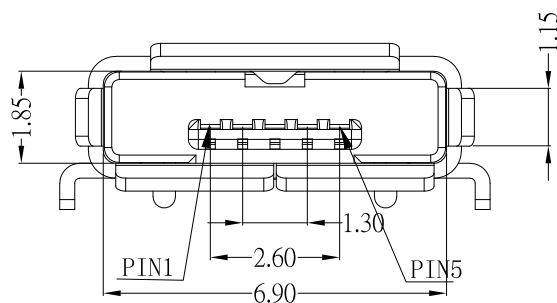
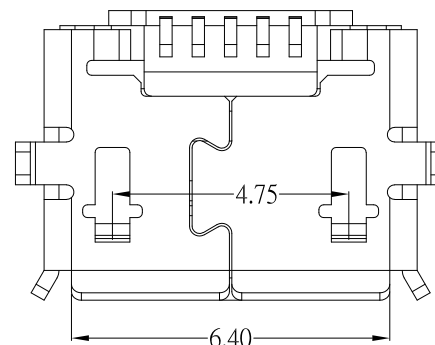
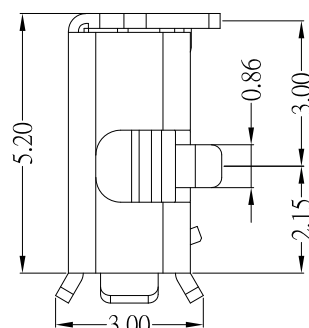
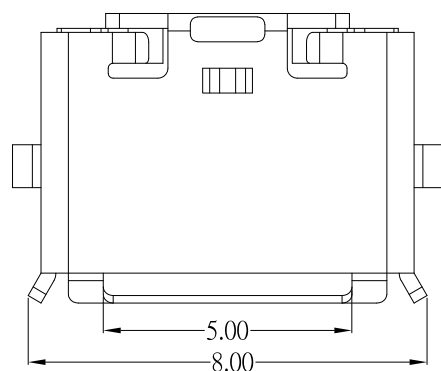
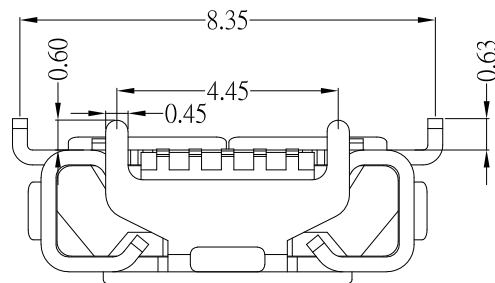
MRUSB-5AB-RV5-x-S410

SHELL 鍍層:

TN
NI



P.C.B LAYOUT MOUNTING PATTEN



SPECIFICATIONS

Electrical:

- 1.Current Rating: 1.0A
- 2.Contact Resistance: 30 mΩ Max
- 3.Dielectric Withstanding Voltage: 100 V for 1 min
- 4.Insulation Resistance: 100 MΩ Min

Material:

- 1.Housing: LCP
- 2.Contact: Brass
- 3.Shell: SUS

Finish:

- 1.Contact: Plated Gold in Mating Area ;
Tin Plated on Solder Balls ;
Nickel under plated overall
- 2.Shell: Tin or Nickel under Plated surface layer



TOLERANCE UNLESS OTHERWISE STATED :

Up to 5 ±0.2
Above 5 ~ 15 ±0.3
Above 15 ~ 30 ±0.4
Above 30 ~ 50 ±0.5
Angle ±0.3

3RD. ANGEL'S



UNITS

MM

DRAWN BY:	DATE	MAT'L	TITLE	CONNECTOR
Jack Lu	08/28/24			
CHECKED BY:	DATE	FINISH	MODLE	MICRO USB AB TYPE 反向牛角型 (8.35-4.45) 脚距3.0
Jacky Chen	08/28/24			
APPROVED BY:	DATE	SCALE	DWG NO.	MRUSB-5AB-RV5-x-S410
Tony Kao	08/28/24	1 : 1		
		SHEET NO.	PART NO.	MRUSB-5AB-RV5-x-S410
		1 of 1		

2	更新樣式和材質及鍍層	Jack	082824
1	更新料號	Jack	121620
ITEM NO.	DESCRIPTION	DRAWN	DATE